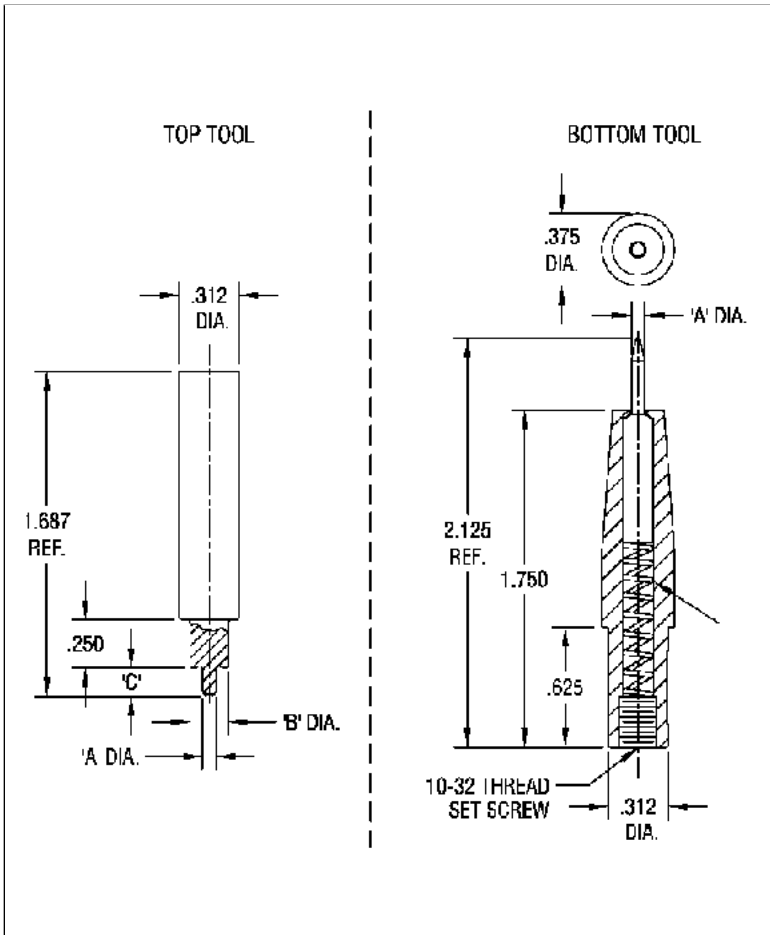




Eyelet Staking Tool

Polished Steel for use with Wide Roll Eyelets



Cat. No.	Description	Eyelet Part Numbers
3075	For 1/16" Eyelets	# 22 - 27
3076	For 3/32" Eyelets	# 33 - 37
3077	For 1/8" Eyelets	# 43 - 48

Set Consists of both Top and Bottom Tool

[Click to Request Samples](#)

[VIEW PRODUCT OVERVIEW](#)